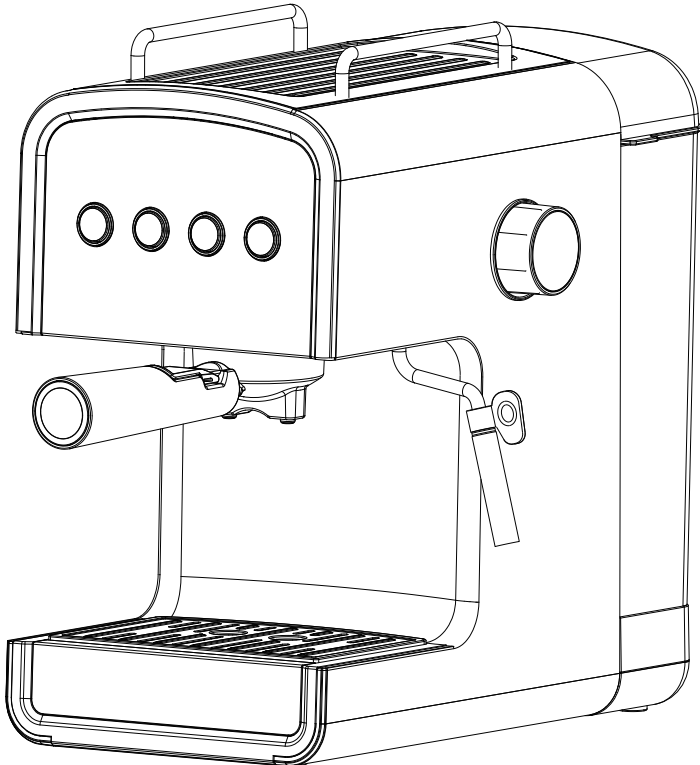


iHOMEKEE

COFFEE MAKER

INSTRUCTION MANUAL



MODEL: CM6822

Read this booklet thoroughly before using and save it for future reference

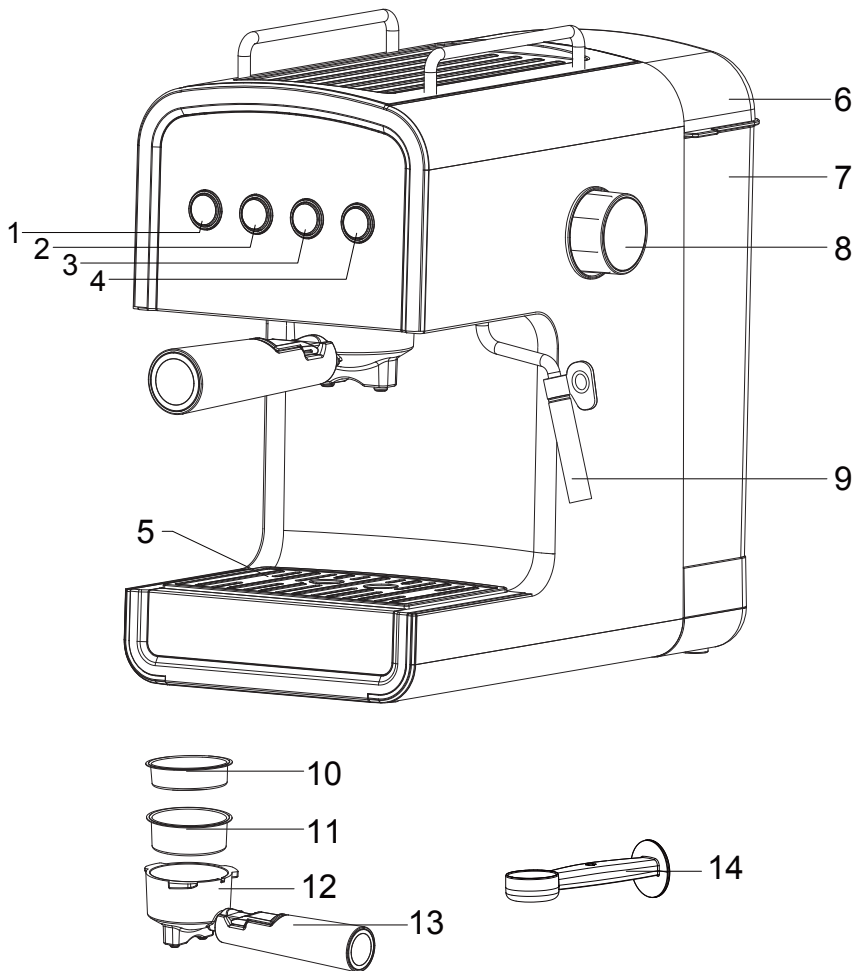
IMPORTANT SAFEGUARDS

Before using the electrical appliance, the following basic precautions should always be followed including the following:

1. Before using checks that the voltage of wall outlet corresponds to coffee maker rating plate.
2. The appliance must be earthed.
3. Close supervision is necessary when your appliance is being used near children.
4. Do not place the coffee maker on hot surface or beside fire, avoid to be damaged.
5. Remove plug from wall outlet before cleaning and when not in use. Allow appliance to cool down completely before taking off, attaching components or before cleaning.
6. Do not operate any appliance with a damaged cord or plug or after the appliance malfunctions, or is dropped or damaged in any manner. Return appliance to the nearest authorized service facility for examination, repair or electrical or mechanical adjustment.
7. The use of accessory which is not recommended by manufacturer may cause injury to persons or damage to appliance.
8. Place appliance on flat surface or table, do not hang its power cord over the edge of table or counter.
9. Ensure that the power cord does not touch hot surface of appliance.
10. Some parts of appliance are hot when operated, so do not touch with hand directly.
11. Do not immerse appliance or power cord into water or any other liquids.
12. Do not use outdoors.
13. Save these instructions booklet for future reference.

HOUSEHOLD USE ONLY

KNOW YOUR ESPRESSO MACHINE



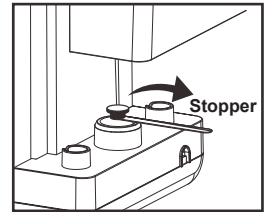
- | | |
|---------------------------|----------------------------|
| 1. One Cup Button | 2. Two Cup Button |
| 3. Power Button | 4. Steam Button |
| 5. Drip Tray | 6. Water Tank Lid |
| 7. Water Tank | 8. Steam Knob |
| 9. Steam Wand | 10. One Cup Filter Basket |
| 11. Two Cup Filter Basket | 12. Filter Holder |
| 13. Portafilter | 14. Measuring Scoop/Tamper |

Before First Use

Because of long shipping time, sometimes espresso machine won't pump water when you receive and use machine first time. The reason is there's airblock develops in the water line. This can happen to any new machines, a machine that had not been used for some time, or the machine had sucked in air by accident.

To purge the air and resume the flow of water, please refer to the following instructions:

1. Lift the water tank from the machine, then remove the stopper from bottom of water tank.



2. Add water to the water tank, filling to the MAX marking indicated. Then replace the water tank onto the machine.
3. Plug in and press the power button.
4. At this time, the indicator light will flash. (if the indicator light is not on, please rotate the steam knob to the OFF position in clockwise direction and try again)
5. Place cup under steam wand.
6. Rotate the steam knob to maximum slowly, machine will start pumping. After water comes out from the steam wand in a straight line, your machine is ready.

HOW TO BREW ESPRESSO

Preheating Water

Fill water into water tank, plug in and press power buttons. The machine will start to heat water and the button indicator will flash.

Filling Coffee Ground

1. Place filter into filter holder, add coffee ground into filter, then use tamper to tamp ground gently, don't tamp it too tight.



Don't overfill the filter basket, it may cause to clog or overflow.

2. Clean any excess coffee from the rim to ensure proper fit under brew head and avoid leaks.

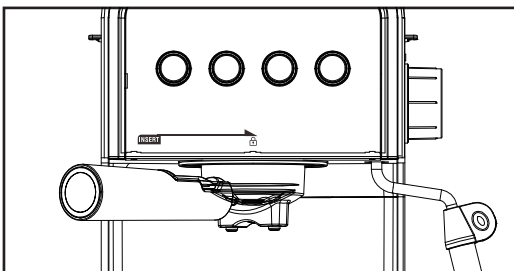


To ensure extraction rate, MEDIUM COFFEE GROUND is recommended.

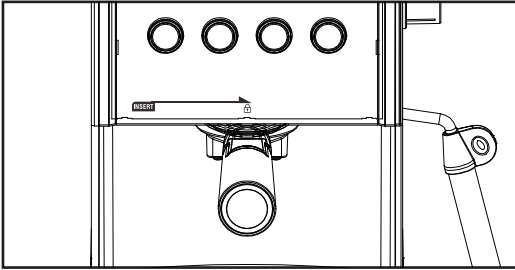


Installing Portafilter

1. Place portafilter underneath the brew head, so that the handle is aligned with the INSERT position.



2. Insert the portafilter into the group head and rotate the handle towards the center until the retention clip is aligned with the closed lock symbol “🔒” on the unit.

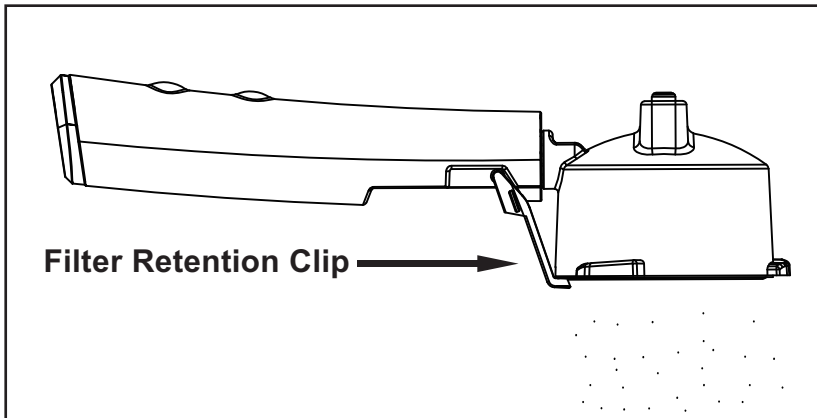


Select The Function

1. Place cup under portafilter, and make sure that the machine is ready. (When indicator become solid).
2. Press one cup or two cup button to start making espresso. The machine will stop after the preset volume has been extracted.

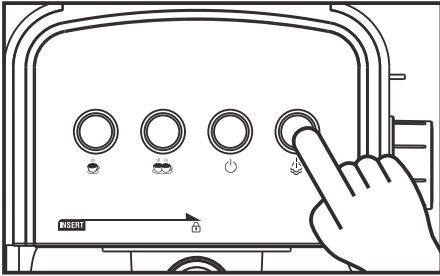


You can hold portafilter by the handle and to use the filter retention clip to dispose the grounds.

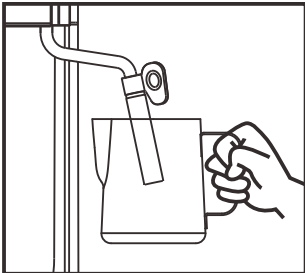


HOW TO STEAM MILK

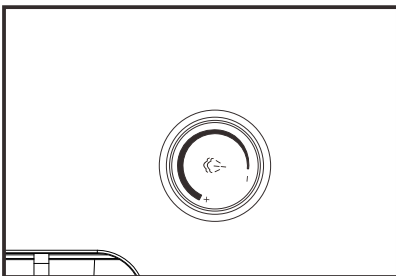
1. Please fill water into water tank. And add your desired amount milk into the pitcher
2. Press steam button, the machine will start to preheat water and the button indicator will flash. **When indicator become solid, the machine is ready.**



3. Dip the steam wand about half an inch into the milk. You can also lower the steam wand deeper into the milk to avoid splashing.



4. Turn on steam by rotate steam knob in anticlockwise direction slowly.



5. Swirl the milk until desired amount of froth is reached.
6. Turn steam knob to “OFF” position and press steam button to switch steam off.

After steaming milk, pour the steamed milk and foam into your espresso, and you're ready to enjoy your homemade cappuccino.



To avoid steam wand blocking, please follow the step of “**HOT WATER FUNCTION**” to clean the steam wand.

Notice: If you want to make espresso after steaming, please make sure that the steam knob is on the off position and steam button is off (If steam button indicator is on, please press the button again to switch steam off).

HOT WATER FUNCTION

1. Following the step of **Preheating Water** to heat water.
2. When indicator become solid, the machine is ready to use. Then rotate steam knob to maximum in anticlockwise direction slowly.
3. Hot water will comes out from steam wand.
4. Rotate the steam knob to the OFF position in clockwise direction.

DESCALING

After regular use, hard water can cause mineral build up in and on many of the inner functioning components, reducing the brewing flow, brewing temperature, power of the machine, and the taste of the espresso.

When the cumulative number of steaming or coffee brewing reaches about 500 times, please descale the machine.

TO DESCALE

1. Add the descaling agent (about 10g) into water tank, then add water to max line.
2. Preheating water.
3. When machine is ready, rotate steam knob to maximum in anticlockwise direction slowly, the machine will start to pump water. The machine will stop working after about 2 minutes.

4. Repeating this cycle about 5 times until water in the tank is drained.
5. Add water into water tank, and follow the third step to operate the machine.
After water is drained, descaling is finished.

CLEAN AND MAINTENANCE

1. Cut off power source and let the machine cool down completely before cleaning.
2. Clean housing of machine with moisture-proof sponge often and clean water tank, drip tray and removable shelf regularly then dry them.
Note: Do not clean with alcohol or solvent cleanser. Never immerse the housing in water for cleaning.
3. Detach the metal funnel through turn it anticlockwise, get rid of coffee residue inside, then you can clean it with cleanser, but at last you must rinse with clear water.
4. Clean all the attachments in the water and dry thoroughly.

TROUBLESHOOTING

PROBLEM	POSSIBLE CAUSES	EASY SOLUTION
No Water Comes Out	<ul style="list-style-type: none"> • Water tank is empty • Appliance not turned on or plugged in • Coffee tamped too firmly 	<ul style="list-style-type: none"> • Fill water into water tank • Plug in power cord • Tamp ground gently
No steam	<ul style="list-style-type: none"> • Water tank is empty • Appliance not turned on or plugged in • Appliance is not ready • Steam wand is blocked 	<ul style="list-style-type: none"> • Fill water into water tank • Plug in power cord • Following step of "HOW TO STEAM MILK" • Clean steam wand, Refer to 'Clean after brewing'

PROBLEM	POSSIBLE CAUSES	EASY SOLUTION
Coffee comes out too slowly	<ul style="list-style-type: none"> • Coffee grind is too fine • Coffee tamped too firmly 	<ul style="list-style-type: none"> • Use medium ground • Tamp ground gently
Coffee not hot enough	<ul style="list-style-type: none"> • Portafilter not pre-heated 	<ul style="list-style-type: none"> • Rinse portafilter under hot water outlet. • Dry thoroughly.
no response from the device after press power button	<ul style="list-style-type: none"> • Steam knob is not closed 	<ul style="list-style-type: none"> • Turn steam control knob to OFF position.
Can't make second espresso after steaming milk	<ul style="list-style-type: none"> • Steam knob is not closed and steam button is on 	<ul style="list-style-type: none"> • Turn steam control knob to OFF position, and press steam button again to turn off steam. • Then press power button to preheat water, when machine is ready, you can start making espresso.
<p>The above is just common question and solution, if you have any other question, or above solution unable to solve the problem, please contact us via: support@ihomekee.net, or chat with us on facebook: www.facebook.com/ihomekee</p>		

HOUSEHOLD USE ONLY

FOSHAN SHUNDE BELIEVE ELECTRICAL APPLIANCES CO., LTD.

Address: THE THIRD OF 1/F,2/F,3/F, NO. 15 DAFU ROAD,
DAFUJI AREA,RONGGUI,SHUNDE,FOSHAN,GUANGDONG,CHINA

Facebook Page: <https://www.facebook.com/ihomekee>

Service: support@ihomekee.net

Made In China

